

8 7 6 5 4 3 2 1

D

C

B

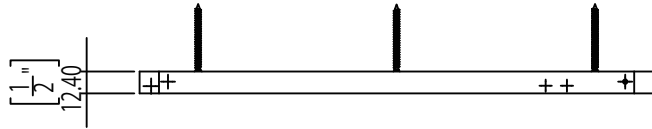
A

D

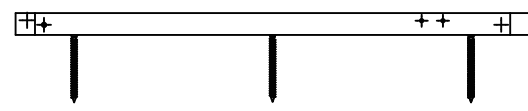
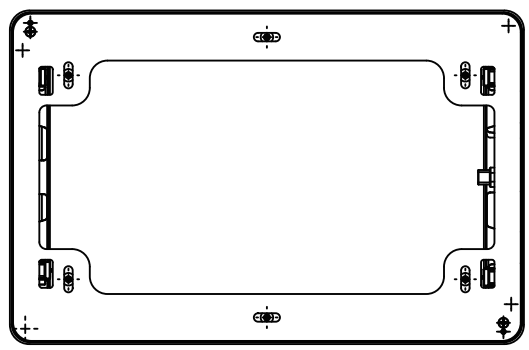
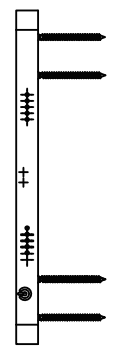
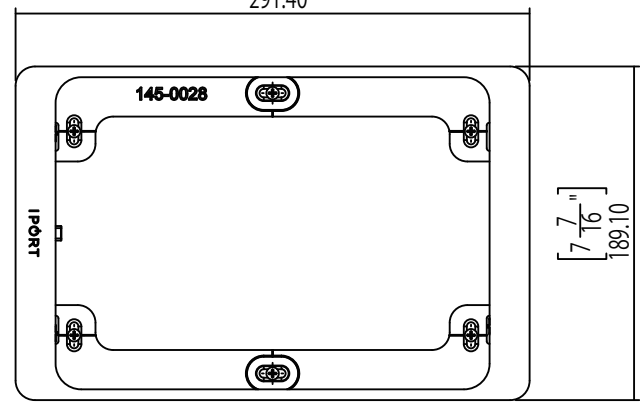
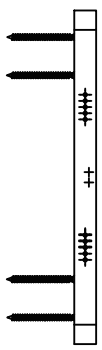
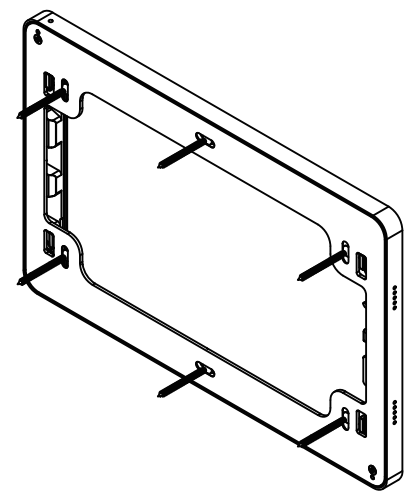
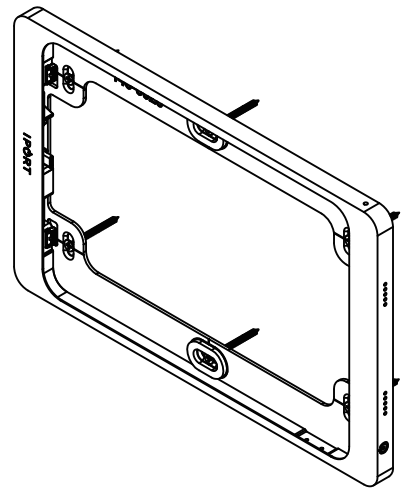
C




B

A



$11 \frac{1}{2}$ "  
291.40



UNLESS OTHERWISE SPECIFIED: DIMENSIONS ARE IN INCHES (MM)		NAME	DATE	   <b>DANA INNOVATIONS</b>
TOLERANCES: FRACTIONAL ± ANGULAR ± TWO PLACE DECIMAL ± THREE PLACE DECIMAL ±		DRAWN		
INTERPRET GEOMETRIC TOLERANCING PER:		CHECKED		TITLE: <b>70810 SM SYSTEM IPAD 10TH GEN BLK</b>
MATERIAL:		ENG. APP.	Alex Bertagni 26 Mar 20	
FINISH:		MFG. APP.	Alex Bertagni 26 Mar 20	
DO NOT SCALE DRAWING		Q.A. APP.		
PROPRIETARY AND CONFIDENTIAL THE INFORMATION CONTAINED IN THIS DRAWING IS THE SOLE PROPERTY OF DANA INNOVATIONS. ANY REPRODUCTION IN PART OR AS A WHOLE WITHOUT THE WRITTEN PERMISSION OF DANA INNOVATIONS IS PROHIBITED.		COMMENTS:		SIZE <b>B</b> DWG. NO.
		RELEASED ON:		REV <b>A</b>
		SCALE: 1:3	WT:	SHEET 1 OF 1

8 7 6 5 4 3 2 1