

4

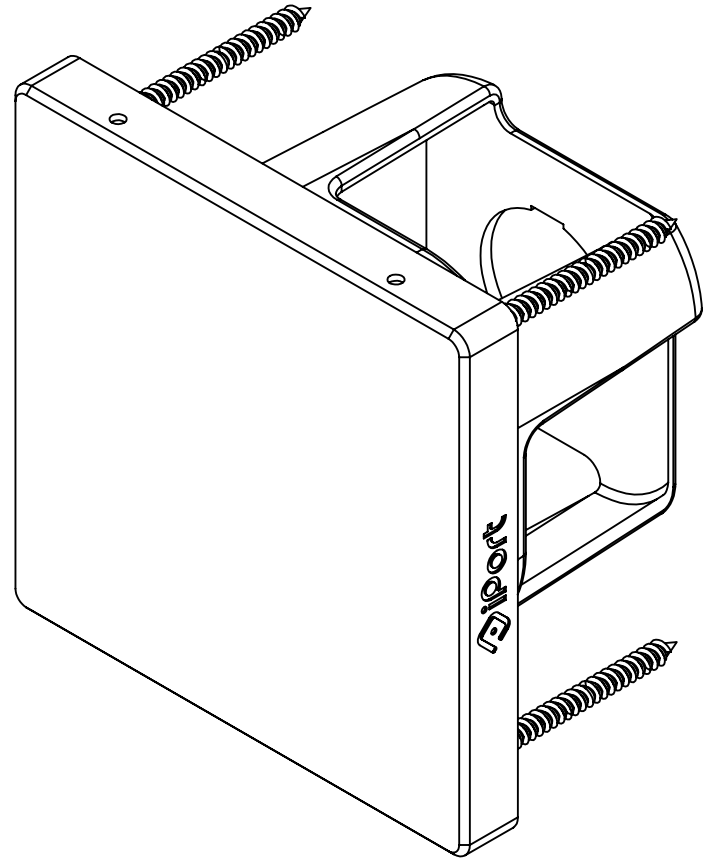
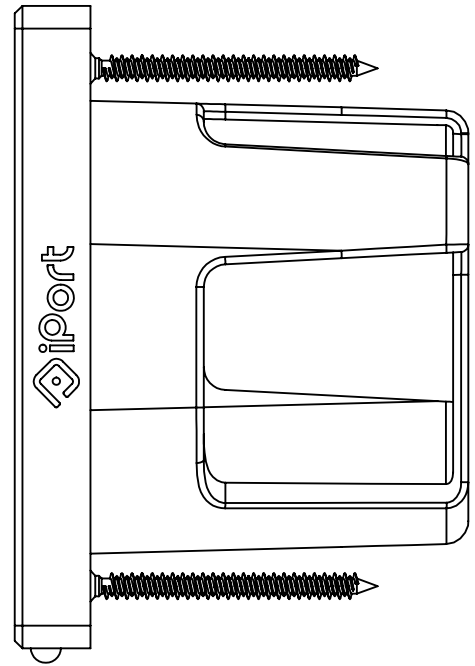
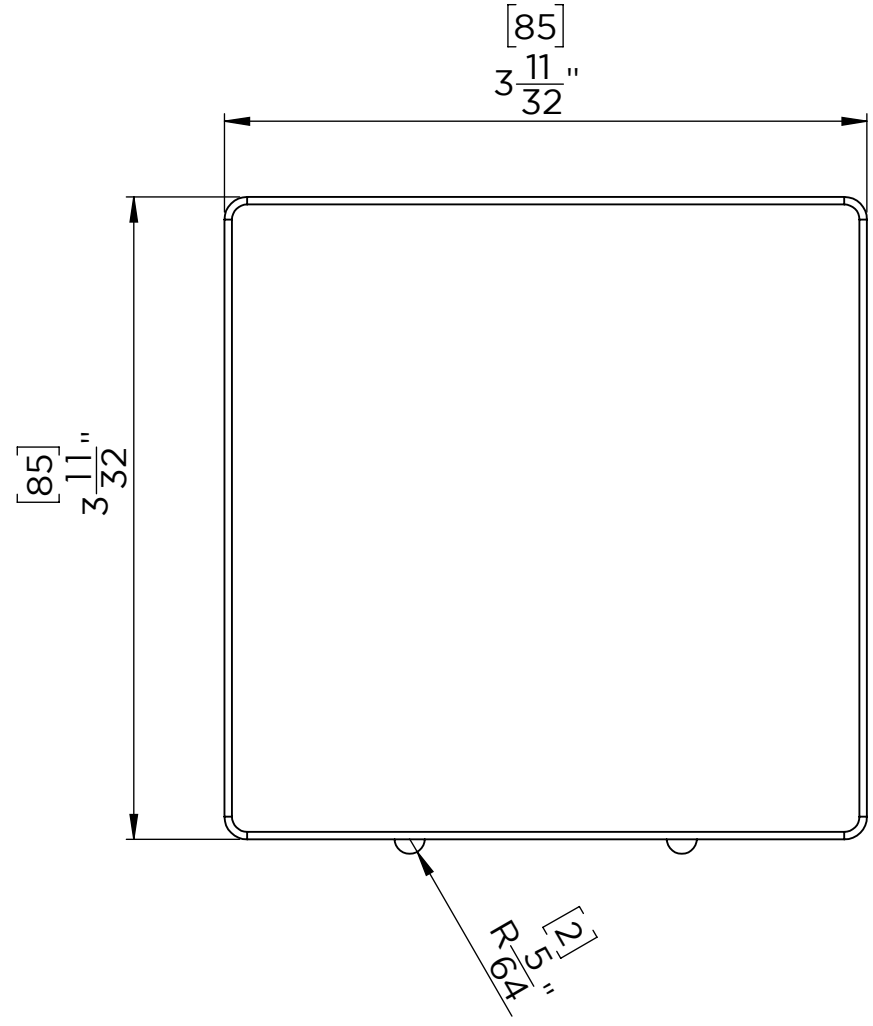
3

2

1

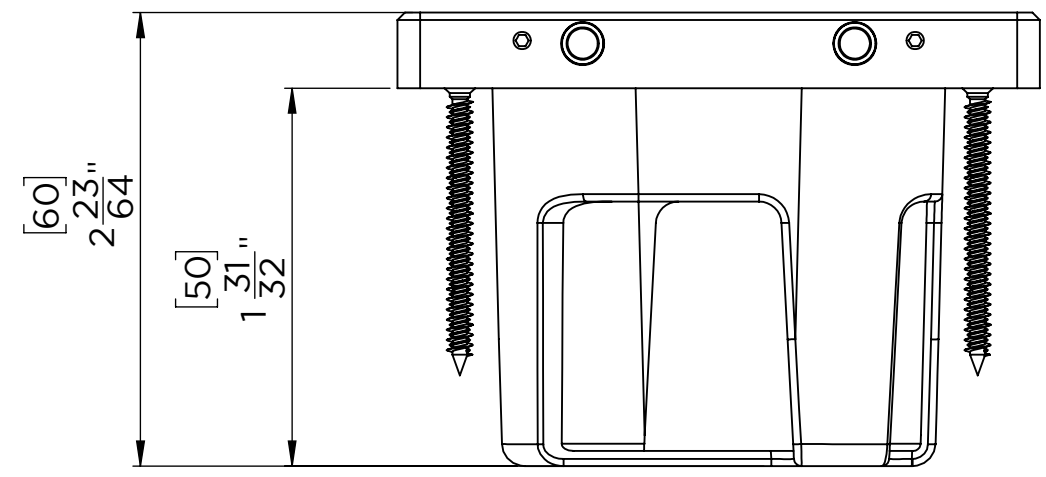
B

B



A

A



4

3

2

1

METRIC/INCHES		iPORT BY SONANCE	
DESIGNED IN SAN CLEMENTE, CALIFORNIA BY IPORT		NAME LX WALLSTATION	
NOTICE OF PROPRIETARY INFORMATION: <small>THE INFORMATION CONTAINED HEREIN IS THE PROPRIETARY PROPERTY OF DANA INNOVATIONS. THE POSSESSOR AGREES TO THE FOLLOWING: 1. TO MAINTAIN THIS DOCUMENT IN CONFIDENCE 2. NOT TO REPRODUCE OR COPY IT 3. NOT TO REVEAL OR PUBLISH IT IN WHOLE OR IN PART 4. ALL RIGHTS RESERVED</small>		SIZE B	SKU 71003 71004 71005
SCALE: 1:1		WEIGHT:	REV A
		SHEET 1 OF 1	